

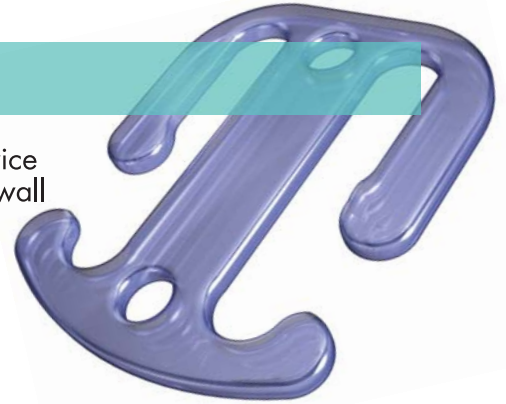
# ASSIANCHOR

## Novel Capsular Anchor Device

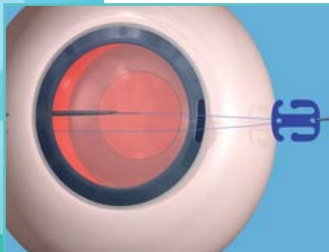
### Attributes

Hanita Lenses novel capsular anchor device  
Securing the capsular bag to the scleral wall

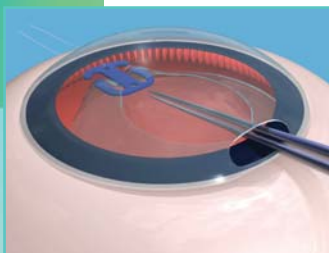
- Enables cataract surgery for subluxated lens
- Centers subluxated capsule
- Provides a wide contact between the device and the anterior capsule
- CE approved



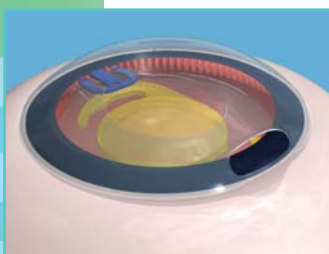
### Simple implantation \*



A conventional phaco-incision (min 2,5 mm) is performed, followed by a capsulorhexis. Easy AssiAnchor insertion and fixation using a suture

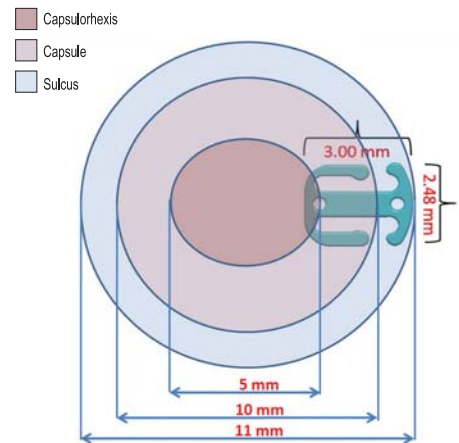


The AssiAnchor clips to the capsule. The capsule is centered and secured to the scleral wall



Phacoemulsification procedure can be easily performed, followed by IOL implantation

### Capsule, Sulcus<sup>1,2</sup> and AssiAnchor dimensions



Ref 1,2

1. Assia E.I., Apple D.J.: Side-View Analysis of the Lens. Part I: The Crystalline Lens and the Evacuated Bag Arch. Ophthalmol. 1992; 110: 89-93.
2. Assia E.I., Apple D.J.: Side-View Analysis of the Lens Part II: Positioning of Intraocular Lenses. Arch. Ophthalmol. 1992; 110: 94-98.

### Specifications

**Material:** Blue tinted PMMA  
**YAG laser:** compatible

Developed with Prof. E.Assia, Israel

\* For detailed clinical instructions please contact Hanita Lenses